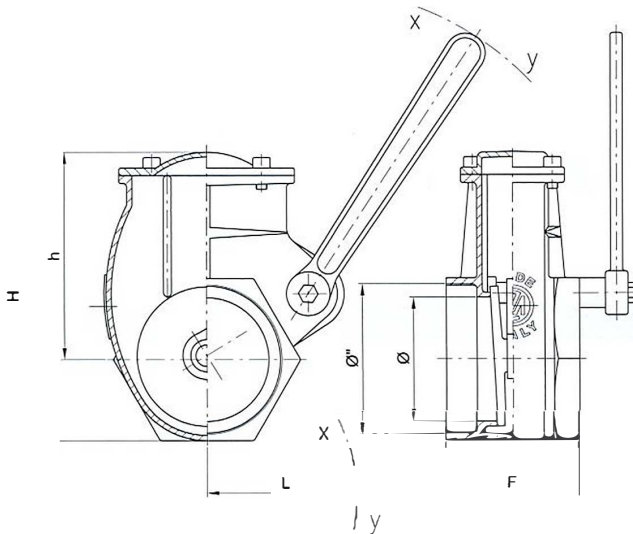


GATE VALVE TH LEVER HANDLE

Art.0030 / Item 0030

Thread: BSP parallel UNI EN ISO 228/1

Bmcdn"gcne"ocioe"ohh"ieoem"hcieie



Bmcdn"gcne"ocioe"ohnh"nnee"hcieie

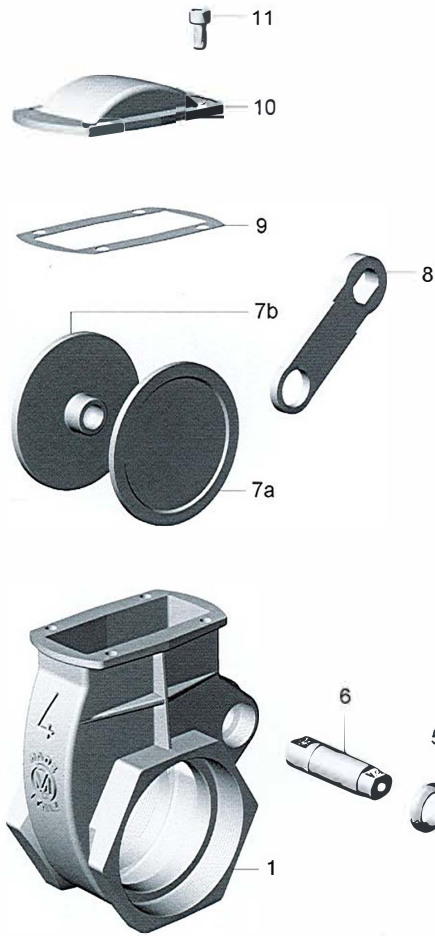
| Ø" | 2" | 2"1/2 | 3" | 4" | 6" |
|------|-------|-------|-------|-------|--------|
| Ø | 48 | 63 | 75 | 93 | 145 |
| H | 117 | 147 | 170 | 218 | 320 |
| h | 81 | 104 | 121 | 157 | 232 |
| L | 228 | 237 | 268 | 323 | 465 |
| F | 80 | 86 | 90 | 100 | 102 |
| gr ~ | 1.950 | 2.450 | 3.800 | 6.300 | 10.650 |

Part Numbers

| | |
|------------------------|-------------|
| Brass gate valve 2" | 65 - 5051LH |
| Brass gate valve 2"1/2 | 65 - 5064LH |
| Brass gate valve 3" | 65 - 5076LH |
| Brass gate valve 4" | 65 - 5102LH |
| Brass gate valve 6" | 65 - 5152LH |

| | |
|--|------------|
| i Gate valve o ith Steel handle 2" | 65 - 5051H |
| Brass Gate valve oith Steel handle 2"1/2 | 65 - 5064H |
| Brass Gate valve oith Steel handle 3" | 65 - 5076H |
| Brass Gate valve o ith Steel handle 4" | 65 - 5102H |
| Brass Gate valve oith Steel handle 6" | 65 - 5152H |

Parts Listing



Work conditions

| | |
|---------|---------|
| DN | 2" ÷ 6" |
| P (bar) | 6 |
| P (PSI) | 90 |
| T (°C) | -15 +80 |

Ø" (in) - DN (mm) conversion table

| Ø" | 2" | 2"1/2 | 3" | 4" | 6" |
|----|-----|-------|-----|-----|-----|
| DN | 050 | 070 | 080 | 100 | 150 |