



GATE VALVE 200PSI

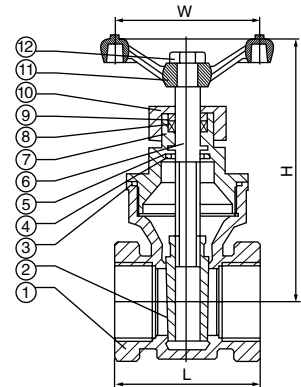


Model: GAV-200

Size: 1/2" ~ 2"

Features:

- ▲ Full bore
- ▲ Working pressure: 200PSI
- ▲ Female threaded end: BSPT.NPT.DIN2999
- ▲ Materials: CF8M(SS316), CF8(SS304)



MATERIAL LIST

NO.	PART NAME	MATERIAL	
1	BODY	CF8M	CF8
2	DISC	CF8M	CF8
3	SEAL RING	SS316	SS316
4	SNAP SPRING	316	
5	WASHER	PTFE	
6	STEM	SS316	SS304
7	BONNET	CF8M	CF8
8	PTFE	PTFE	
9	GASKET	PTFE	
10	GLAND NUT	SS316	
11	HANDWHEEL	HT(C.R.)	
12	NUT	SS316	

DIMENSION LIST

SIZE	d	H	L	W
1/2"	15	105	50	70
3/4"	20	108	60	70
1"	25	135	65	80
1-1/4"	32	145	75	80
1-1/2"	40	155	85	90
2"	50	185	95	100

GLOBE VALVE 200PSI

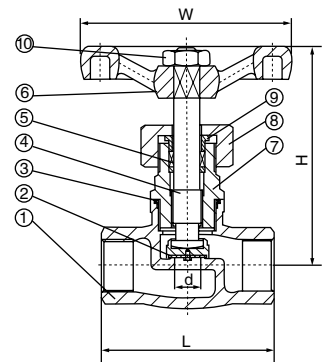


Model: GLV-200

Size: 1/2" ~ 2"

Features:

- ▲ Full bore
- ▲ Working pressure: 200PSI
- ▲ Female threaded end: BSPT.NPT.DIN2999
- ▲ Materials: CF8M(SS316), CF8(SS304)



MATERIAL LIST

NO.	PART NAME	MATERIAL	
1	BODY	CF8M	CF8
2	DISC	CF8M	CF8
3	SEAL RING	SS316	SS316
4	STEM	SS316	SS304
5	PTFE	PTFE	
6	HANDWHEEL	HT(C.R.)	
7	BONNET	CF8M	CF8
8	GLAND NUT	SS316	
9	PACKING GASKET	SS316	
10	NUT	SS316	

DIMENSION LIST

SIZE	d	H	L	W
1/2"	15	105	50	70
3/4"	20	108	60	70
1"	25	135	65	80
1-1/4"	32	145	75	80
1-1/2"	40	155	85	90
2"	50	185	95	100