



T/L TYPE THREE WAY BALL VALVE 1000PSI

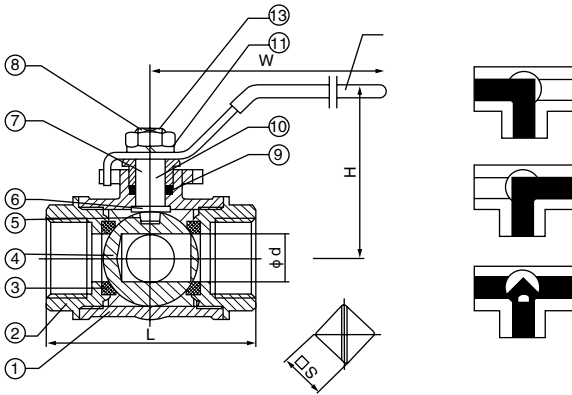
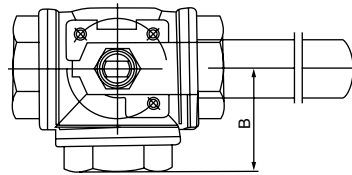
Model: BT-TWV

Size: 1/4" ~ 2"



"L" type or "T" type

- ▲ Reduce bore
- ▲ Size: 1/4"-2"
- ▲ Working pressure: 1000PSI
- ▲ Threaded end: BSPT, NPT, ISO 228/1
- ▲ ISO 5211 top-mount pad
- ▲ Optional locked device handle
- ▲ Materials: CF8M(SS316), CF8(SS304)



MATERIAL LIST		
NO.	PART NAME	MATERIAL
1	BODY	CF8M
2	CAP	CF8M
3	SEAT	PTFE
4	BALL	SS 316
5	SEAL RING	PTFE
6	STEM SEAL	PTFE
7	STEM	SS 316
8	ANTI-STATIC DEVICE	SS 304
9	STEM PACKING	PTFE
10	PACKING GLAND	SS 304
11	SPRING WASHER	SS 304
12	HANDLE	SS 304
13	STEM NUT	SS 304

DIMENSION LIST							
SIZE	φ d	L	H	W	B	ISO5211	□S
1/4"	4.2	64	32	85	32.0	F2	(7)
3/8"	6	64	32	95	32.0	F2	(7)
1/2"	10	68	34	108	34.0	F3	(9)
3/4"	15	78	60	115	39.0	F3	(9)
1"	20	86	60	135	43.0	F4	(9)
1-1/4"	25	111	76	150	55.5	F4	(11)
1-1/2"	32	126	85	175	63.0	F5	(11)
2"	40	143	95	190	71.5	F5	(11)

NOTE: () FOR OPTIONAL DIMENSION