



2PC LIGHT DUTY BALL VALVE 1000PSI

Model: BTL-2F

Size: 1/4"~4" FULL BORE (1000PSI)



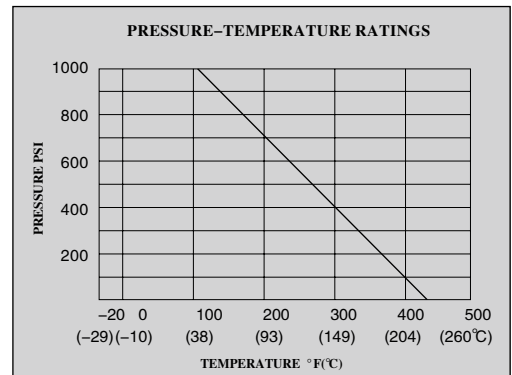
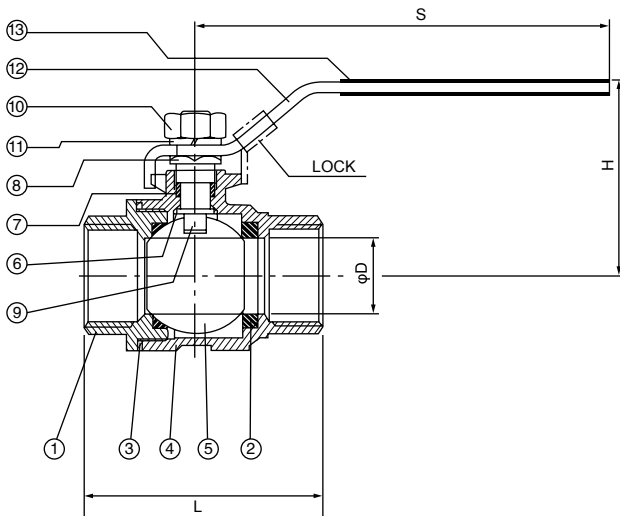
Threaded:BSPT.BSP.NPT.DIN2999.ISO 228/1

Materials:CF8M(SS316),CF8(SS304)

Features:

- ▲ Investment casting body
- ▲ Working pressure 1000PSI for W.O.G.
- ▲ Adjustable stem packing
- ▲ Pure teflon seals and seats
- ▲ Temperature range:-60 to 450° F
- ▲ Blow-out proof stem and safe pressure-reducing hole
- ▲ 100% leakage tested at 100PSI air under water
- ▲ Hydrostatic test pressure:1500PSI
- ▲ Locking device(optional)

VALVE



MATERIAL LIST

NO.	PARTS NAME	MATERIAL	Q'TY
1	CAP	316	1
2	BALL SEAT	PTFE	2
3	JOINT GASKET	PTFE	1
4	BODY	316	1
5	BALL	316	1
6	THRUST WASHER	PTFE	1
7	STEM PACKING	PTFE	1
8	GLAND NUT	304	1
9	STEM	316	1
10	STEM NUT	304	1
11	SPRING WASHER	304	1
12	HANDLE	304	1
13	PLASTIC SLEEVE	PVC	1

DIMENSION LIST

SIZE	D	L	H	S
1/4"	12.7	47.3	46.6	99.5
3/8"	12.7	47.3	46.6	99.5
1/2"	15.0	58.2	48.2	99.5
3/4"	20.0	65.5	61.7	126.5
1"	25.0	76.5	69.3	126.5
1 1/4"	32.0	90.0	80.7	153.0
1 1/2"	38.0	98.3	87.2	153.0
2"	50.8	121.7	95.4	192.0
2 1/2"	65.0	145.2	119.5	248.0
3"	76.0	167.0	130.0	248.0
4"	100.0	224.0	167.2	320.0