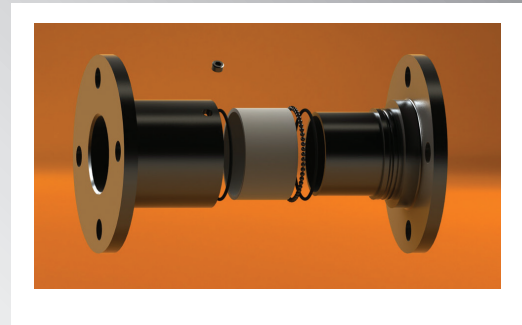
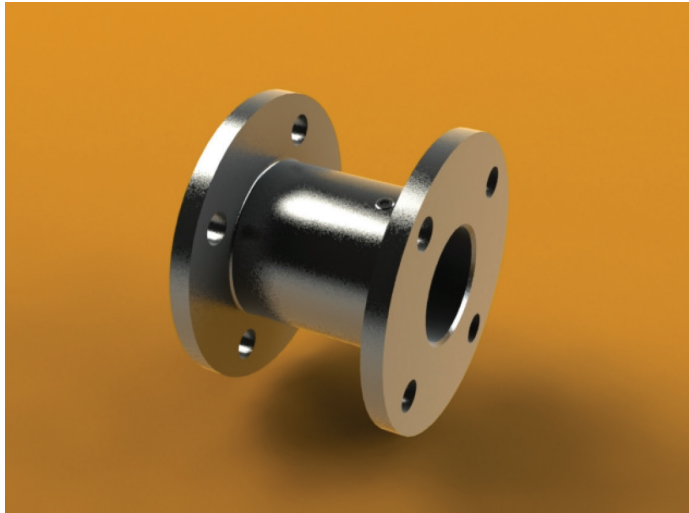


# Swivel Joint - F Type

## Flanged Swivel Joint



### Temperature

- -50°C – 700°C

### Life Span:

- 5 years (Depends on installation, operating conditions and maintenance)

### Bearing type

- Stainless Steel

### Bush type

- PTFE
- Brass
- Ertalon LFX Nylon

### Operating Pressure

- 250 psi - Higher on Request

### Revolutions per minute (Rpm)

- Low hand driven Rpm (Bush type – Fluoropolymer)
- High Machine Rpm (bush type - needle roller / bearings)
- Maintenance and schedule installation guide provided.

### Pipe loading

- Capable up to 150Kg (Higher on Request)

### Application

- Petrol
- Diesel
- Av-gas
- Ethanol
- Methanol
- Bitumen
- Sewage
- Milk
- Oil
- Essential Oils
- Water
- Pharmaceutical
- Steam
- Power Plant
- Marine
- Gas
- Chemical

Part Number	Imperial Size	Dash
SJ#-0808-FF-*_x_x	1/2"	08
SJ#-1212-FF-*_x_x	3/4"	12
SJ#-1616-FF-*_x_x	1	16
SJ#-2020-FF-*_x_x	1 1/4"	20
SJ#-2424-FF-*_x_x	1 1/2"	24
SJ#-3232-FF-*_x_x	2"	32
SJ#-4040-FF-*_x_x	2 1/2"	40
SJ#-4848-FF-*_x_x	3"	48
SJ#-6464-FF-*_x_x	4"	64
SJ#-8080-FF-*_x_x	5"	80
SJ#-9696-FF-*_x_x	6"	96
SJ#-128128-FF-*_x_x	8"	128

#### Material Type #

6S = 316 S/S, pT = PTFE, PP = Polypropylene

#### Seals Type \*

V = Viton, E = EPDM, P = PTFE, N = Neoprene,  
B = Buna Nitrile

#### Connection Type X

F = Female, M = Male, FL = Flange

#### Thread & Flange Type \_

B = BSP, N = NPT, J = JIC, M = Metric, BW = Butt-weld, SW = Socket-weld, A = ANSI (state class),  
TE = Table 'E', TD = Table 'D', TF = Table 'F',  
TH = Table 'H', D = DIN 16, C = Custom