

SPRING BALANCERS

Equipment to reduce the weight of work tools

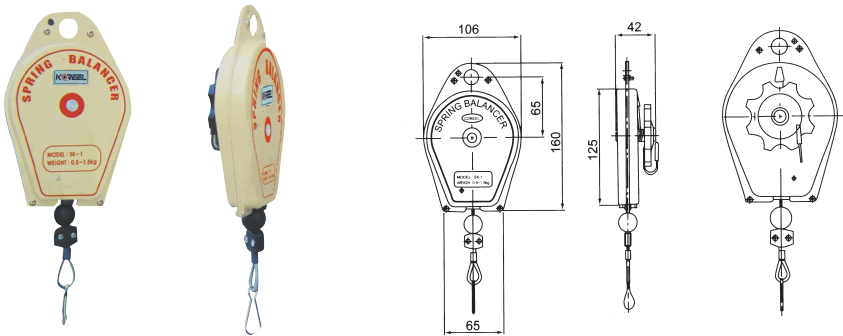


Features

Tools become weightless and move up & down with little effort
Spring Balancers eliminate unnecessary movement, contributes to accurate work.
Spring Balancer prevents the tools from dropping and keep them clean

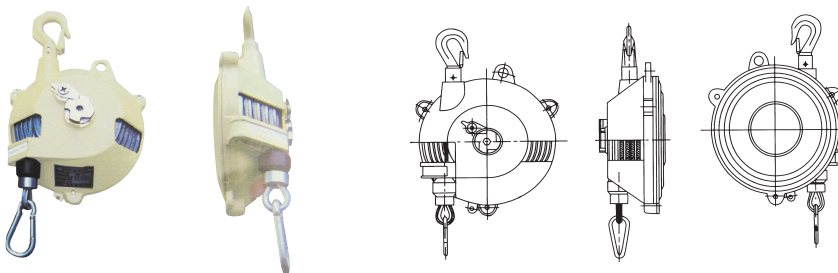
Benefits

Less Worker Fatigue
Improves Work-Efficiency
Extended Tool Life



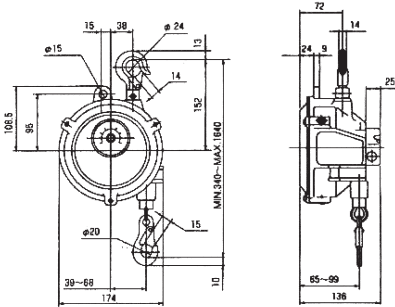
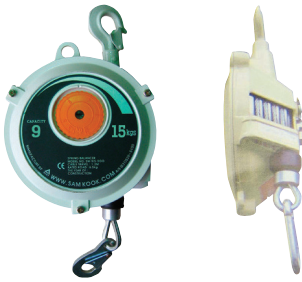
JB-1

Model	Range Of Application (kg)	Wire		Weight (kg)	Packing
		External Diameter (Ø)	L (M)		
JB-1	0.5 - 1.5	2mm Coated Wire	1.3	0.45	1Box × 1EA



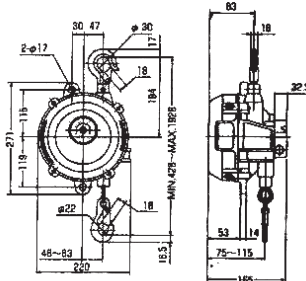
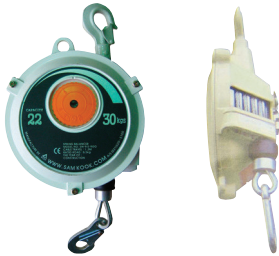
JB-3
JB-5

Model	Range Of Application (kg)	Wire		Weight (kg)	Packing
		External Diameter (Ø)	L (M)		
JB-3	1.0 - 3.0	3mm Coated Wire	1.3	1.55	1Box × 1EA
JB-5	3.0 - 5.0	3mm Coated Wire	1.3	1.65	1Box × 1EA



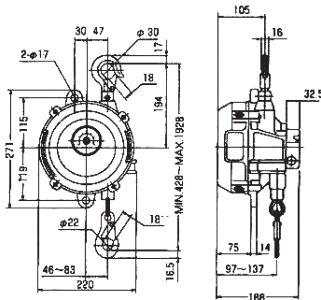
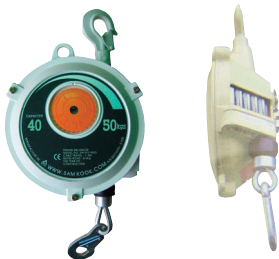
JB-9
JB-15

Model	Range Of Application [kg]	Wire		Weight [kg]	Packing
		External Diameter [Ø]	L [M]		
JB-9	4.5 - 9.0	4mm Coated Wire	1.3	3.7	1Box x 1EA
JB-15	9.0 - 15.0	4mm Coated Wire	1.3	3.8	1Box x 1EA



JB-22
JB-30

Model	Range Of Application [kg]	Wire		Weight [kg]	Packing
		External Diameter [Ø]	L [M]		
JB-22	15.0 - 22.0	4.8mm Coated Wire	1.5	7.7	1Box x 1EA
JB-30	22.0 - 30.0	4.8mm Coated Wire	1.5	8.0	1Box x 1EA



JB-40
JB-50

Model	Range Of Application [kg]	Wire		Weight [kg]	Packing
		External Diameter [Ø]	L [M]		
JB-40	30.0 - 40.0	4.8mm Coated Wire	1.5	9.8	1Box x 1EA
JB-50	40.0 - 50.0	4.8	1.5	10.4	1Box x 1EA

Note: Other weight ranges are also available

AUCKLAND
144 NEILSON ST
ONEHUNGA
AUCKLAND 1061
T: 09 636 5902
F: 09 634 6655

WHANGAREI
43 PORT ROAD
WHANGAREI
0110
T: 09 438 1598
F: 09 438 1599

HAMILTON
18 KING ST
FRANKTON
HAMILTON 3204
T: 07 847 7889
F: 07 846 9056

MT MAUNGANUI
69 HULL ROAD
MT MAUNGANUI
3116
T: 07 575 5697
F: 07 575 5297

WELLINGTON
148 HUTT ROAD
PETONE
LOWER HUTT 5012
T: 04 560 3701
F: 04 560 3705

NELSON
27B FORESTS ROAD
STOKE
NELSON 7010
T: 03 5470531
F: 03 5470532

CHRISTCHURCH
252 ANNEX ROAD
MIDDLETON
CHRISTCHURCH 8024
T: 03 348 8755
F: 03 348 8756

DUNEDIN
301 VOGEL ST
DUNEDIN
9012
T: 03 455 7657
F: 03 455 7687