

VISCO-FLOWMAT



EN Gear-type pumps with pressure switch

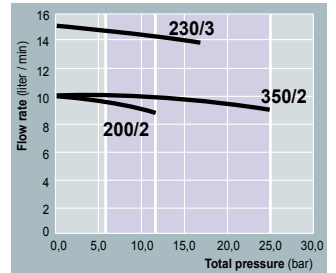
The new range of VISCOMAT pumps with pressure switch is designed to satisfy requirements for deliveries with a constant flow self-priming pump with automatic switch-off at the end of delivery. The unit consists of an internal profile gear pump with alternating current motor, integrated with a pressure switch. Switch-on of the motor and delivery are performed automatically when the nozzle opens. At the end of delivery the pump continues to operate for a few seconds in order to permit topping up if necessary and then switches off. The performance of the gear pump guarantees good flow rates with high pressures, no pulsing, regular flow and silent operation. The pressure switch activates

the pump when a minimum pressure is reached and switches the pump off when a maximum pressure is reached, below the pump by-pass pressure. The pressure switch is also provided with a safety valve which limits the maximum system pressure to 10 bars. The above unit combines the typical characteristics of gear pumps with the simplicity and convenience of being able to activate the pump without worrying about motor switch-on and switch-off. It can be used both for feeding single delivery points, also with reels, and on fixed distribution systems.

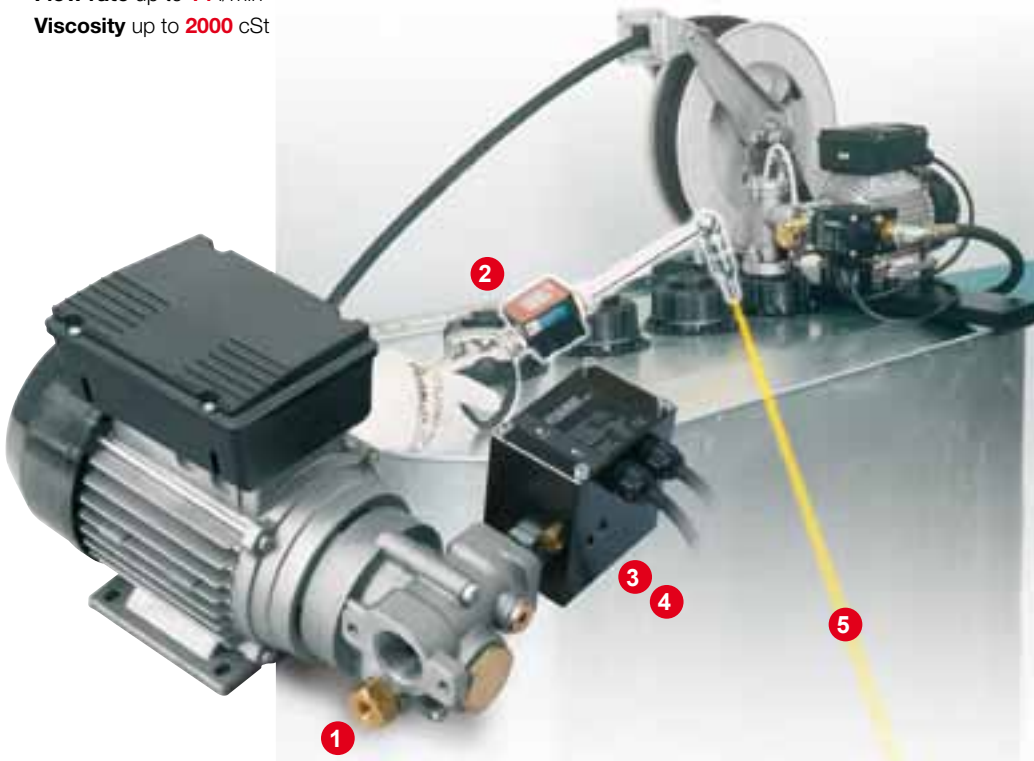
Performance
Flow rates from 9 to 14 l/min (2,4 to 3,7 gal/min).
Operating pressures from 12 to 25 bars (170 to 355 psi).

Automatic switch-on and switch-off.
Regular no-pulse flow.
Noise level below 65 db.
Self-priming pump.
Construction features

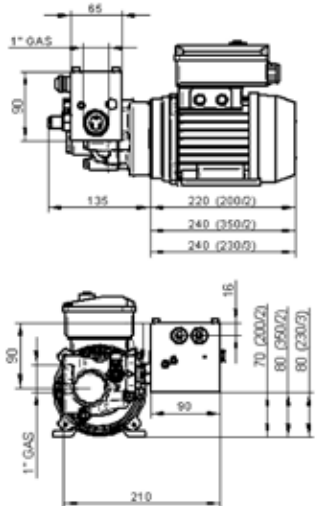
- Closed self-ventilated a.c. asynchronous motor (protection rating IP 55) available in different voltages and frequencies.
- Die-cast aluminium pump body.
- Sintered steel gears with specially designed internal profile.
- Mechanical seal on motor shaft, accessible from pump side.
- By-pass integrated in pump body.
- 1" G female suction inlets and 1" G female outlets.
- Incorporated priming device.
- Pressure switch featuring 2 pressure thresholds with incorporated safety valve.
- Max pressure adjustment option.



Flow rate up to 14 l/min
Viscosity up to 2000 cSt



- 1 Adjustable by pass valve.
- 2 Auto on/off: the immediate answer.
- 3 Adjustable max delivery pressure.
- 4 Safety over pressure valve set at 10 bar.
- 5 No impulse flow.



VISCO-FLOWMAT GEAR

| Code | Description | Flow rate | | Pressure | | Bypass valve adjustable | Singlephase motor Volt/Hz | Watt | rpm | I/O | Weight Kg | Packaging mm |
|-----------|-----------------------------|-----------|---------|----------|-----|-------------------------|---------------------------|------|------|----------------|-----------|--------------|
| | | l/min | gal/min | bar | psi | | | | | | | |
| 00030200A | Visco Flowmat 200/2 | 9 | 2,4 | 12 | 170 | ● | 230/50 | 550 | 1450 | 1" GAS | 12 | 360x360x300 |
| F0030201A | Visco Flowmat 200/2 110V/60 | 9 | 2,4 | 12 | 170 | ● | 110/60 | 950 | 1730 | 3/4" / 1" NPTF | 12 | 360x360x300 |
| 00030204A | Visco Flowmat 230/3 | 14 | 3,7 | 16 | 227 | ● | 230/50 | 750 | 1450 | 1" GAS | 15 | 360x360x300 |
| F0030205A | Visco Flowmat 230/3 110V/60 | 14 | 3,7 | 16 | 227 | ● | 110/60 | 1500 | 1700 | 3/4" / 1" NPTF | 15 | 360x360x300 |
| 00030206A | Visco Flowmat 350/2 | 9 | 2,4 | 25 | 355 | ● | 230/50 | 750 | 1450 | 1" GAS | 15 | 360x360x300 |
| F0030210A | Visco Flowmat 350/2 110V/60 | 9 | 2,4 | 25 | 355 | ● | 110/60 | 1500 | 1700 | 3/4" / 1" NPTF | 15 | 360x360x300 |

Upon request it is available with different voltage and frequency