

Filter and transfer unit

DEPUROIL is the ideal tool for decontaminating oil by removing suspended particles. The unit's application is in situations where hydraulic systems or machinery lubrication requires that the circulating oil be free from impurities.

The filtering unit is composed of a volumetric vane pump that suctions the oil to be purified, sending it through a high-filtering capacity cartridge filter that removes the impurities.

The unit is equipped with helically wound transparent suction and discharge tubes for easy control of operations. Filter clogging is revealed by a manometer installed on the filter head.

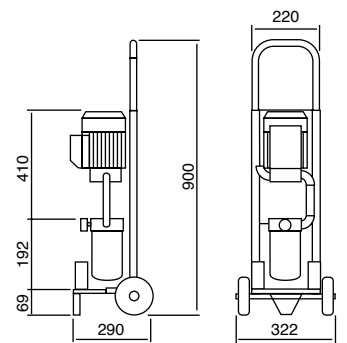
Its support is wheeled for ease of movement and use. Easy to use and maintain, it is the ideal piece of equipment to decontaminate oil simply and cleanly.

Performance Specifications

Flow-rates from 25 to 30 l/min (5,28 ÷ 6,6 gal/min), according to the clogging of the filter.
 Continuous Operation.
 Noise less than 70 dB.
 Filtration Capacity 10 µ.

Technical Features

- Wheeled tubular support structure with anti-corrosion treatment and paint finish for outside use.
- Self-priming volumetric vane pump, equipped with bypass.
- Self-ventilated, IP55 induction motor, with thermal protection and cut-off switch.
- Interchangeable cartridge filter with head. Paper filter with filtering capacity of 10 µ. Supplied with one replacement cartridge.
- Manometer to signal filter clogging.
- Helically wound transparent suction and output tubing.



DEPUROIL

Flow rate 20 ÷ 25 l/min

Micro 10 µ

Code	Description		Flow rate		AC		Tank		Micro µ	Weight Kg	Packaging mm
			l/min	gal/min	Volt/Hz	Watt	liter	gal			
00050300A	Depuroil M 230/50	0	20 ÷ 25	5,28 ÷ 6,6	230/50	750	-	-	10	28	670X310X330
00050302A	Depuroil M 110/50	0	20 ÷ 25	5,28 ÷ 6,6	110/50	750	-	-	10	28	670X310X330
00050301A	Depuroil M 110/60	0	20 ÷ 25	5,28 ÷ 6,6	110/60	750	-	-	10	28	670X310X330
00050303A	Depuroil M 230/60	0	20 ÷ 25	5,28 ÷ 6,6	230/60	750	-	-	10	28	670X310X330

Upon request it is available with different voltage and 60 Hz frequency