

# CAMBIAOLIO The Original

### Oil changer

CAMBIAOLIO responds to the ever more frequent need to extract used oil from automobiles directly from the dipstick holder. By means of a simple, clean operation it is possible to suction all the used oil and collect it directly in a temporary storage container for later disposal in conformance with the law. The device is equipped with a special electrically operated, self-priming centrifugal pump capable of generating high suction pressure. The lack of contact between sliding parts and the used contaminated oil prevents deterioration due to wear and guarantees the pump's performance over time. The suction tube is equipped with a vacuum meter to indicate that

the oil has been emptied and a quick coupling for the provided oil probe. The support is wheeled for ease of movement and use. Compact, light, economical, easy to use and maintain, it is an indispensable tool for workshops and service stations.

### Performance Specifications

Flow-rate from 2 to 10 l/min (0,5 ÷ 25 gal/min).  
Continuous Operation.  
Noise less than 70 dB.

### Technical Features

- Wheeled tubular support structure with anti-corrosion treatment and paint finish for outside use.
- Self-priming, liquid ring centrifugal pump.

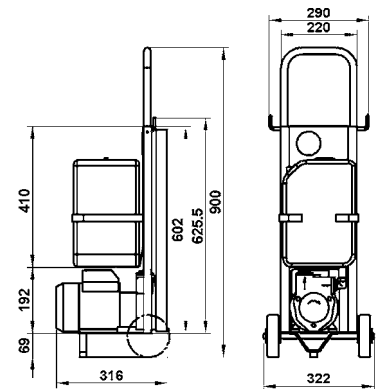
- Self-ventilated, IP55 induction motor, with thermal protection.
  - Vacuum meter to verify pump function and that oil has been emptied
  - Suction tube complete with quick coupling for probe.
  - Complete set of probes to cover vehicles on the market including:
    - 1 semi-rigid probes Ø 6 x 800 mm
    - 1 semi-rigid probes Ø 8 x 800 mm
    - 1 rigid probes Ø 8 x 650 mm
    - 1 rigid pieces Ø 9 x 650 mm
  - Removable probe holder with sealed bottom for collecting oil dripping from the probes.
- Mobile polyethylene oil recovery tank, transparent white with a capacity of 12 liters.

### Probe Kit included:

- 1 semi-rigid probe Ø 6 x 800 mm
- 1 semi-rigid probe Ø 8 x 800 mm
- 1 rigid probe Ø 8 x 650 mm
- 1 rigid probe Ø 9 x 650 mm



Suction pressure and operation check.



Code	Description		Flow rate		AC		Tank		Micro	Weight	Packaging
			l/min	gal/min	Volt/Hz	Watt	liter	gal			
00050000A	Cambiaolio M	0	2 ÷ 10	0,5 ÷ 2,5	230/50-60	750	12	9,2	-	19,5	670X310X330
00050006A	Cambiaolio 110V / 60Hz	0	2 ÷ 10	0,5 ÷ 2,5	110/60	750	12	9,2	-	19,5	670X310X330

Upon request it is available with different voltage and 60 Hz frequency