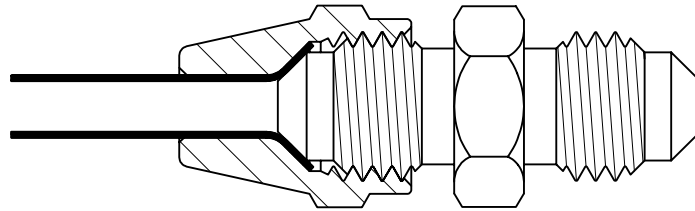


45° Flare

FLARE



TITON Flare Fittings are manufactured especially with hazardous liquids and gasses in mind. They are available in sizes ranging from 1/8" to 3/4", and are manufactured from high quality DZR grade brass alloy . All flare fittings conform to the following standards: AS D26, AS3688, AG 601-1995, NZG 1993/76.

ADVANTAGES

May be assembled/disassembled numerous times. When used with the appropriate tubing, they can withstand high pressures. For improved resistance to mechanical vibration, the Long Flare Nut may be used.

APPLICATIONS

Use with copper, brass, aluminium, and flareable steel pipe. Install where medium to high pressures are encountered. Flare Fittings, when used with the Long Flare Nut, provide good resistance to vibration. Ideal for use with fuel, oil, air, water and Natural Gas lines. In Applications where temperatures extremes are encountered we recommend the use of stress-relieved fittings. Please contact our technical sales department for more information.

WORKING PRESSURES

TITON Flare Fittings are able to withstand high pressures, use the table below as a guideline. Usually, pressures are determined by the pipe used, rather than the Flare Fitting.

SPECIAL SIZES

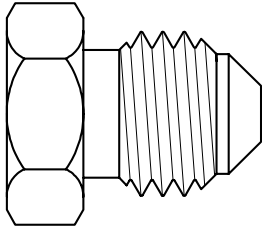
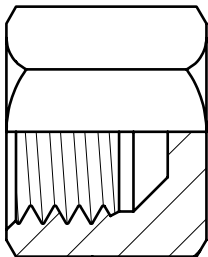
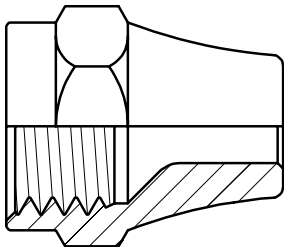
Other sizes not specified are available upon request.

ASSEMBLY

- I. Slide nut, tapered end first, onto tubing.
- II. Using a 45° flaring tool, flare end of tube until flare just fits inside nut. (On thin wall tubing it is recommended a double flare is used to prevent pinch off.)
- III. Assemble to fitting body. Nut should be tightened hand tight.
- IV. Using a wrench, tighten until a leak-proof, metal to metal joint is achieved. To avoid premature failure of the fitting, do not over-tighten.

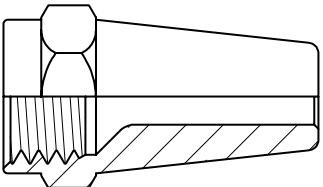
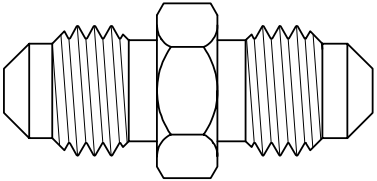
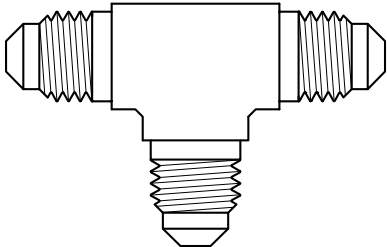
Tube Size	Hydraulic kPa [PSI]	Pneumatic kPa [PSI]
1/8	17250 [2500]	4800 [700]
3/16	17250 [2500]	4800 [700]
1/4	13750 [2000]	4800 [700]
5/16	13750 [2000]	4800 [700]
3/8	10400 [1500]	2750 [400]
1/2	7000 [1020]	1750 [250]
5/8	7000 [1020]	1750 [250]
3/4	7000 [1020]	1750 [250]

45° Flare

<p>39P</p> 	<p style="text-align: center;">Flare Plug</p> <table border="1"> <thead> <tr> <th>Part Number</th> <th>Standard Pack</th> <th>Tube</th> <th>Pipe Thread</th> </tr> </thead> <tbody> <tr> <td>39P04</td> <td>5</td> <td>1/4</td> <td>-</td> </tr> <tr> <td>39P05</td> <td>5</td> <td>5/16</td> <td>-</td> </tr> <tr> <td>39P06</td> <td>5</td> <td>3/8</td> <td>-</td> </tr> <tr> <td>39P08</td> <td>5</td> <td>1/2</td> <td>-</td> </tr> <tr> <td>39P10</td> <td>5</td> <td>5/8</td> <td>-</td> </tr> </tbody> </table>	Part Number	Standard Pack	Tube	Pipe Thread	39P04	5	1/4	-	39P05	5	5/16	-	39P06	5	3/8	-	39P08	5	1/2	-	39P10	5	5/8	-												
Part Number	Standard Pack	Tube	Pipe Thread																																		
39P04	5	1/4	-																																		
39P05	5	5/16	-																																		
39P06	5	3/8	-																																		
39P08	5	1/2	-																																		
39P10	5	5/8	-																																		
<p>40C</p> 	<p style="text-align: center;">Flare Cap</p> <table border="1"> <thead> <tr> <th>Part Number</th> <th>Standard Pack</th> <th>Tube</th> <th>Pipe Thread</th> </tr> </thead> <tbody> <tr> <td>40C04</td> <td>5</td> <td>1/4</td> <td>-</td> </tr> <tr> <td>40C05</td> <td>5</td> <td>5/16</td> <td>-</td> </tr> <tr> <td>40C06</td> <td>5</td> <td>3/8</td> <td>-</td> </tr> <tr> <td>40C08</td> <td>5</td> <td>1/2</td> <td>-</td> </tr> </tbody> </table>	Part Number	Standard Pack	Tube	Pipe Thread	40C04	5	1/4	-	40C05	5	5/16	-	40C06	5	3/8	-	40C08	5	1/2	-																
Part Number	Standard Pack	Tube	Pipe Thread																																		
40C04	5	1/4	-																																		
40C05	5	5/16	-																																		
40C06	5	3/8	-																																		
40C08	5	1/2	-																																		
<p>41S</p> 	<p style="text-align: center;">Short Flare Nut</p> <table border="1"> <thead> <tr> <th>Part Number</th> <th>Standard Pack</th> <th>Tube</th> <th>Pipe Thread</th> </tr> </thead> <tbody> <tr> <td>41S02</td> <td>50</td> <td>1/8</td> <td>-</td> </tr> <tr> <td>41S03</td> <td>50</td> <td>3/16</td> <td>-</td> </tr> <tr> <td>41S04</td> <td>50</td> <td>1/4</td> <td>-</td> </tr> <tr> <td>41S05</td> <td>50</td> <td>5/16</td> <td>-</td> </tr> <tr> <td>41S06</td> <td>25</td> <td>3/8</td> <td>-</td> </tr> <tr> <td>41S08</td> <td>20</td> <td>1/2</td> <td>-</td> </tr> <tr> <td>41S10</td> <td>10</td> <td>5/8</td> <td>-</td> </tr> <tr> <td>41S12</td> <td>10</td> <td>3/4</td> <td>-</td> </tr> </tbody> </table>	Part Number	Standard Pack	Tube	Pipe Thread	41S02	50	1/8	-	41S03	50	3/16	-	41S04	50	1/4	-	41S05	50	5/16	-	41S06	25	3/8	-	41S08	20	1/2	-	41S10	10	5/8	-	41S12	10	3/4	-
Part Number	Standard Pack	Tube	Pipe Thread																																		
41S02	50	1/8	-																																		
41S03	50	3/16	-																																		
41S04	50	1/4	-																																		
41S05	50	5/16	-																																		
41S06	25	3/8	-																																		
41S08	20	1/2	-																																		
41S10	10	5/8	-																																		
41S12	10	3/4	-																																		

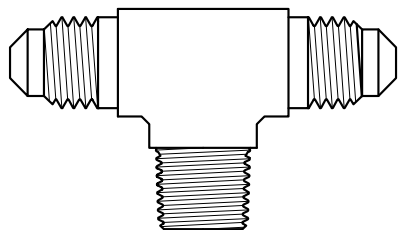
45° Flare

**F
L
A
R
E**

<p style="text-align: center;">Long Flare Nut</p> <p style="text-align: center; font-size: small;">Offers Improved Resistance To Vibration.</p> <table border="1" style="width: 100%; border-collapse: collapse; margin-top: 10px;"> <thead> <tr style="background-color: #ffff00;"> <th style="text-align: center;">Part Number</th> <th style="text-align: center;">Standard Pack</th> <th style="text-align: center;">Tube</th> <th style="text-align: center;">Pipe Thread</th> </tr> </thead> <tbody> <tr><td style="text-align: center;">4102</td><td style="text-align: center;">25</td><td style="text-align: center;">1/8</td><td style="text-align: center;">-</td></tr> <tr><td style="text-align: center;">4103</td><td style="text-align: center;">25</td><td style="text-align: center;">3/16</td><td style="text-align: center;">-</td></tr> <tr><td style="text-align: center;">4104</td><td style="text-align: center;">25</td><td style="text-align: center;">1/4</td><td style="text-align: center;">-</td></tr> <tr><td style="text-align: center;">4105</td><td style="text-align: center;">25</td><td style="text-align: center;">5/16</td><td style="text-align: center;">-</td></tr> <tr><td style="text-align: center;">4106</td><td style="text-align: center;">25</td><td style="text-align: center;">3/8</td><td style="text-align: center;">-</td></tr> <tr><td style="text-align: center;">4108</td><td style="text-align: center;">20</td><td style="text-align: center;">1/2</td><td style="text-align: center;">-</td></tr> <tr><td style="text-align: center;">4110</td><td style="text-align: center;">10</td><td style="text-align: center;">5/8</td><td style="text-align: center;">-</td></tr> <tr><td style="text-align: center;">4112</td><td style="text-align: center;">10</td><td style="text-align: center;">3/4</td><td style="text-align: center;">-</td></tr> </tbody> </table>	Part Number	Standard Pack	Tube	Pipe Thread	4102	25	1/8	-	4103	25	3/16	-	4104	25	1/4	-	4105	25	5/16	-	4106	25	3/8	-	4108	20	1/2	-	4110	10	5/8	-	4112	10	3/4	-	<p style="font-size: 2em; font-weight: bold;">41</p> 
Part Number	Standard Pack	Tube	Pipe Thread																																		
4102	25	1/8	-																																		
4103	25	3/16	-																																		
4104	25	1/4	-																																		
4105	25	5/16	-																																		
4106	25	3/8	-																																		
4108	20	1/2	-																																		
4110	10	5/8	-																																		
4112	10	3/4	-																																		
<p style="text-align: center;">Double Flare Union</p> <p style="text-align: center; font-size: small;">For Reducing Unions See No 58.</p> <table border="1" style="width: 100%; border-collapse: collapse; margin-top: 10px;"> <thead> <tr style="background-color: #ffff00;"> <th style="text-align: center;">Part Number</th> <th style="text-align: center;">Standard Pack</th> <th style="text-align: center;">Tube</th> <th style="text-align: center;">Pipe Thread</th> </tr> </thead> <tbody> <tr><td style="text-align: center;">4202</td><td style="text-align: center;">20</td><td style="text-align: center;">1/8</td><td style="text-align: center;">-</td></tr> <tr><td style="text-align: center;">4203</td><td style="text-align: center;">20</td><td style="text-align: center;">3/16</td><td style="text-align: center;">-</td></tr> <tr><td style="text-align: center;">4204</td><td style="text-align: center;">25</td><td style="text-align: center;">1/4</td><td style="text-align: center;">-</td></tr> <tr><td style="text-align: center;">4205</td><td style="text-align: center;">25</td><td style="text-align: center;">5/16</td><td style="text-align: center;">-</td></tr> <tr><td style="text-align: center;">4206</td><td style="text-align: center;">25</td><td style="text-align: center;">3/8</td><td style="text-align: center;">-</td></tr> <tr><td style="text-align: center;">4208</td><td style="text-align: center;">10</td><td style="text-align: center;">1/2</td><td style="text-align: center;">-</td></tr> <tr><td style="text-align: center;">4210</td><td style="text-align: center;">10</td><td style="text-align: center;">5/8</td><td style="text-align: center;">-</td></tr> <tr><td style="text-align: center;">4212</td><td style="text-align: center;">10</td><td style="text-align: center;">3/4</td><td style="text-align: center;">-</td></tr> </tbody> </table>	Part Number	Standard Pack	Tube	Pipe Thread	4202	20	1/8	-	4203	20	3/16	-	4204	25	1/4	-	4205	25	5/16	-	4206	25	3/8	-	4208	10	1/2	-	4210	10	5/8	-	4212	10	3/4	-	<p style="font-size: 2em; font-weight: bold;">42</p> 
Part Number	Standard Pack	Tube	Pipe Thread																																		
4202	20	1/8	-																																		
4203	20	3/16	-																																		
4204	25	1/4	-																																		
4205	25	5/16	-																																		
4206	25	3/8	-																																		
4208	10	1/2	-																																		
4210	10	5/8	-																																		
4212	10	3/4	-																																		
<p style="text-align: center;">Flare Tee</p> <p style="text-align: center; font-size: small;">For Reducing Unions See No 58.</p> <table border="1" style="width: 100%; border-collapse: collapse; margin-top: 10px;"> <thead> <tr style="background-color: #ffff00;"> <th style="text-align: center;">Part Number</th> <th style="text-align: center;">Standard Pack</th> <th style="text-align: center;">Tube</th> <th style="text-align: center;">Pipe Thread</th> </tr> </thead> <tbody> <tr><td style="text-align: center;">4402</td><td style="text-align: center;">10</td><td style="text-align: center;">1/8</td><td style="text-align: center;">-</td></tr> <tr><td style="text-align: center;">4403</td><td style="text-align: center;">10</td><td style="text-align: center;">3/16</td><td style="text-align: center;">-</td></tr> <tr><td style="text-align: center;">4404</td><td style="text-align: center;">10</td><td style="text-align: center;">1/4</td><td style="text-align: center;">-</td></tr> <tr><td style="text-align: center;">4405</td><td style="text-align: center;">10</td><td style="text-align: center;">5/16</td><td style="text-align: center;">-</td></tr> <tr><td style="text-align: center;">4406</td><td style="text-align: center;">10</td><td style="text-align: center;">3/8</td><td style="text-align: center;">-</td></tr> <tr><td style="text-align: center;">4408</td><td style="text-align: center;">10</td><td style="text-align: center;">1/2</td><td style="text-align: center;">-</td></tr> <tr><td style="text-align: center;">4410</td><td style="text-align: center;">10</td><td style="text-align: center;">5/8</td><td style="text-align: center;">-</td></tr> <tr><td style="text-align: center;">4412</td><td style="text-align: center;">10</td><td style="text-align: center;">3/4</td><td style="text-align: center;">-</td></tr> </tbody> </table>	Part Number	Standard Pack	Tube	Pipe Thread	4402	10	1/8	-	4403	10	3/16	-	4404	10	1/4	-	4405	10	5/16	-	4406	10	3/8	-	4408	10	1/2	-	4410	10	5/8	-	4412	10	3/4	-	<p style="font-size: 2em; font-weight: bold;">44</p> 
Part Number	Standard Pack	Tube	Pipe Thread																																		
4402	10	1/8	-																																		
4403	10	3/16	-																																		
4404	10	1/4	-																																		
4405	10	5/16	-																																		
4406	10	3/8	-																																		
4408	10	1/2	-																																		
4410	10	5/8	-																																		
4412	10	3/4	-																																		

45° Flare

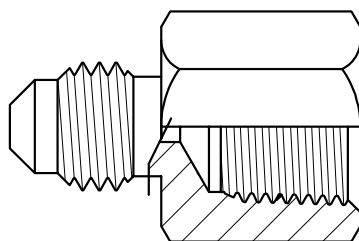
45



Flare Male Branch Tee

Part Number	Standard Pack	Tube	Pipe Thread
450202	10	1/8	1/8 BSPT
450302	10	3/16	1/8 BSPT
450402	10	1/4	1/8 BSPT
450404	10	1/4	1/4 BSPT
450502	10	5/16	1/8 BSPT
450604	10	3/8	1/4 BSPT
450806	10	1/2	3/8 BSPT

46



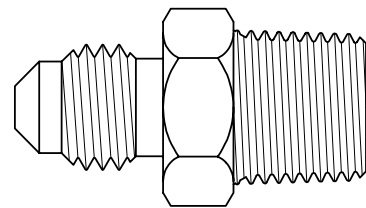
Flare Female Connector

Part Number	Standard Pack	Tube	Pipe Thread
460202	10	1/8	1/8 BSPP
460302	10	3/16	1/8 BSPP
460402	10	1/4	1/8 BSPP
460404	10	1/4	1/4 BSPP
460406	10	1/4	3/8 BSPP
460502	10	5/16	1/8 BSPP
460504	10	5/16	1/4 BSPP
460602	10	3/8	1/8 BSPP
460604	10	3/8	1/4 BSPP
460606	10	3/8	3/8 BSPP
460608	10	3/8	1/2 BSPP
460804	10	1/2	1/4 BSPP
460806	10	1/2	3/8 BSPP
460808	10	1/2	1/2 BSPP
461208	10	3/4	1/2 BSPP
461212	1	3/4	3/4 BSPP

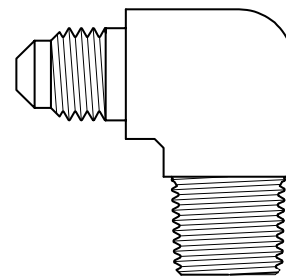
45° Flare

**F
L
A
R
E**

Flare Male Connector				48
Part Number	Standard Pack	Tube	Pipe Thread	
480202	20	1/8	1/8 BSPT	
480302	20	3/16	1/8 BSPT	
480304	-	3/16	1/4 BSPT	
480402	20	1/4	1/8 BSPT	
480404	20	1/4	1/4 BSPT	
480406	20	1/4	3/8 BSPT	
480408	20	1/4	1/2 BSPT	
480502	20	5/16	1/8 BSPT	
480504	20	5/16	1/4 BSPT	
480506	20	5/16	3/8 BSPT	
480508	-	5/16	1/2 BSPT	
480602	20	3/8	1/8 BSPT	
480604	20	3/8	1/4 BSPT	
480606	20	3/8	3/8 BSPT	
480608	20	3/8	1/2 BSPT	
480612	10	3/8	3/4 BSPT	
480804	20	1/2	1/4 BSPT	
480806	10	1/2	3/8 BSPT	
480808	10	1/2	1/2 BSPT	
480812	-	1/2	3/4 BSPT	
481006	5	5/8	3/8 BSPT	
481008	5	5/8	1/2 BSPT	
481012	5	5/8	3/4 BSPT	
481208	5	3/4	1/2 BSPT	
481212	5	3/4	3/4 BSPT	



Flare Male Elbow				49
Part Number	Standard Pack	Tube	Pipe Thread	
490202	20	1/8	1/8 BSPT	
490302	20	3/16	1/8 BSPT	
490402	25	1/4	1/8 BSPT	
490404	25	1/4	1/4 BSPT	
490406	25	1/4	3/8 BSPT	
490502	25	5/16	1/8 BSPT	
490504	25	5/16	1/4 BSPT	
490506	25	5/16	3/8 BSPT	

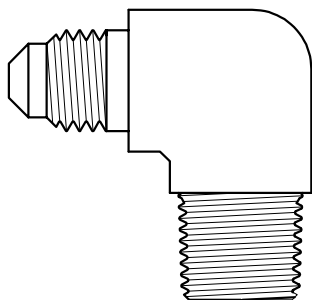


Continued on next page...

45° Flare

...Continued from previous page

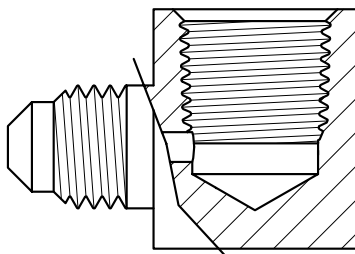
49



Flare Male Elbow

Part Number	Standard Pack	Tube	Pipe Thread
490602	20	3/8	1/8 BSPT
490604	20	3/8	1/4 BSPT
490606	10	3/8	3/8 BSPT
490608	10	3/8	1/2 BSPT
490804	10	1/2	1/4 BSPT
490806	10	1/2	3/8 BSPT
490808	10	1/2	1/2 BSPT
491008	5	5/8	1/2 BSPT
491208	5	5/8	1/2 BSPT

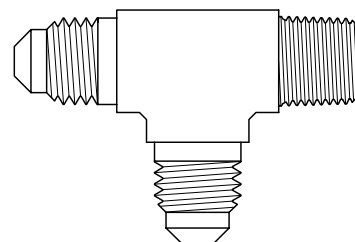
50



Flare Female Elbow

Part Number	Standard Pack	Tube	Pipe Thread
500402	1	1/4	1/8 BSPP
500502	1	5/16	1/8 BSPP
500604	1	3/8	1/4 BSPP
500806	1	1/2	3/8 BSPP

51

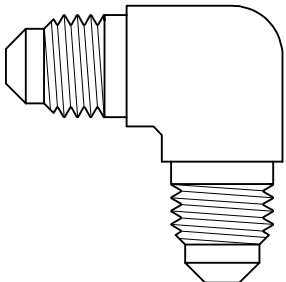
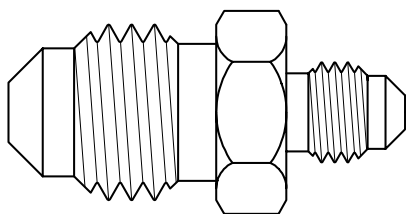


Flare Male Run Tee

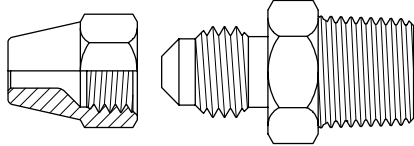
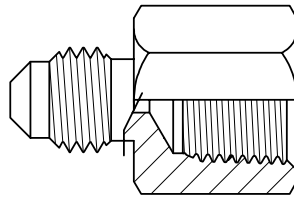
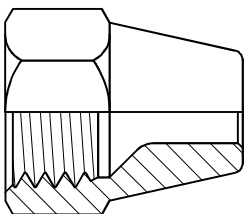
Part Number	Standard Pack	Tube	Pipe Thread
510402	1	1/4	1/8 BSPT
510604	1	5/16	1/4 BSPT
510806	1	3/8	3/8 BSPT

45° Flare

**F
L
A
R
E**

<p style="text-align: center;">Flare 90° Elbow</p> <table border="1"> <thead> <tr> <th>Part Number</th> <th>Standard Pack</th> <th>Tube</th> <th>Pipe Thread</th> </tr> </thead> <tbody> <tr><td>5502</td><td>10</td><td>1/8</td><td>-</td></tr> <tr><td>5503</td><td>10</td><td>3/16</td><td>-</td></tr> <tr><td>5504</td><td>10</td><td>1/4</td><td>-</td></tr> <tr><td>5505</td><td>10</td><td>5/16</td><td>-</td></tr> <tr><td>5506</td><td>10</td><td>3/8</td><td>-</td></tr> <tr><td>5508</td><td>10</td><td>1/2</td><td>-</td></tr> <tr><td>5510</td><td>10</td><td>5/8</td><td>-</td></tr> </tbody> </table>	Part Number	Standard Pack	Tube	Pipe Thread	5502	10	1/8	-	5503	10	3/16	-	5504	10	1/4	-	5505	10	5/16	-	5506	10	3/8	-	5508	10	1/2	-	5510	10	5/8	-	<p style="text-align: right; font-size: 2em;">55</p> 
Part Number	Standard Pack	Tube	Pipe Thread																														
5502	10	1/8	-																														
5503	10	3/16	-																														
5504	10	1/4	-																														
5505	10	5/16	-																														
5506	10	3/8	-																														
5508	10	1/2	-																														
5510	10	5/8	-																														
<p style="text-align: center;">Reducing Flare Union</p> <p style="text-align: center;">For Double Flare Unions See No 42.</p> <table border="1"> <thead> <tr> <th>Part Number</th> <th>Standard Pack</th> <th>Tube</th> <th>Tube</th> </tr> </thead> <tbody> <tr><td>580403</td><td>10</td><td>1/4</td><td>42430</td></tr> <tr><td>580504</td><td>10</td><td>5/16</td><td>38808</td></tr> <tr><td>580604</td><td>10</td><td>3/8</td><td>38808</td></tr> <tr><td>580605</td><td>10</td><td>3/8</td><td>42491</td></tr> <tr><td>580806</td><td>10</td><td>1/2</td><td>38932</td></tr> </tbody> </table>	Part Number	Standard Pack	Tube	Tube	580403	10	1/4	42430	580504	10	5/16	38808	580604	10	3/8	38808	580605	10	3/8	42491	580806	10	1/2	38932	<p style="text-align: right; font-size: 2em;">58</p> 								
Part Number	Standard Pack	Tube	Tube																														
580403	10	1/4	42430																														
580504	10	5/16	38808																														
580604	10	3/8	38808																														
580605	10	3/8	42491																														
580806	10	1/2	38932																														
Empty section for additional information																																	

45° Gas Flare

<p style="font-size: 24pt; font-weight: bold; margin-bottom: 10px;">GFC</p> 	<p style="text-align: center; font-weight: bold; margin-bottom: 5px;">Gas Flare Assembly</p> <p style="text-align: center; font-size: 10pt;">Consists of GFN Nut and GFM Connector</p> <table border="1" style="width: 100%; border-collapse: collapse; margin-top: 10px;"> <thead> <tr style="background-color: #ffffcc;"> <th style="text-align: left; padding: 5px;">Part Number</th> <th style="text-align: center; padding: 5px;">Standard Pack</th> <th style="text-align: left; padding: 5px;">Tube</th> <th style="text-align: left; padding: 5px;">Pipe Thread</th> </tr> </thead> <tbody> <tr> <td style="padding: 5px;">GFC1006</td> <td style="text-align: center; padding: 5px;">10</td> <td style="padding: 5px;">10 mm</td> <td style="padding: 5px;">3/8 BSPT</td> </tr> <tr> <td style="padding: 5px;">GFC1008</td> <td style="text-align: center; padding: 5px;">10</td> <td style="padding: 5px;">10 mm</td> <td style="padding: 5px;">1/2 BSPT</td> </tr> <tr> <td style="padding: 5px;">GFC1508</td> <td style="text-align: center; padding: 5px;">10</td> <td style="padding: 5px;">15 mm</td> <td style="padding: 5px;">1/2 BSPT</td> </tr> <tr> <td style="padding: 5px;">GFC2012</td> <td style="text-align: center; padding: 5px;">10</td> <td style="padding: 5px;">20 mm</td> <td style="padding: 5px;">3/4 BSPT</td> </tr> </tbody> </table>	Part Number	Standard Pack	Tube	Pipe Thread	GFC1006	10	10 mm	3/8 BSPT	GFC1008	10	10 mm	1/2 BSPT	GFC1508	10	15 mm	1/2 BSPT	GFC2012	10	20 mm	3/4 BSPT
Part Number	Standard Pack	Tube	Pipe Thread																		
GFC1006	10	10 mm	3/8 BSPT																		
GFC1008	10	10 mm	1/2 BSPT																		
GFC1508	10	15 mm	1/2 BSPT																		
GFC2012	10	20 mm	3/4 BSPT																		
<p style="font-size: 24pt; font-weight: bold; margin-bottom: 10px;">GFF</p>  <p style="margin-top: 10px; font-weight: bold;">Stress Relieved</p>	<p style="text-align: center; font-weight: bold; margin-bottom: 5px;">Gas Flare Female Connector</p> <table border="1" style="width: 100%; border-collapse: collapse; margin-top: 10px;"> <thead> <tr style="background-color: #ffffcc;"> <th style="text-align: left; padding: 5px;">Part Number</th> <th style="text-align: center; padding: 5px;">Standard Pack</th> <th style="text-align: left; padding: 5px;">Tube</th> <th style="text-align: left; padding: 5px;">Pipe Thread</th> </tr> </thead> <tbody> <tr> <td style="padding: 5px;">GFF1508</td> <td style="text-align: center; padding: 5px;">10</td> <td style="padding: 5px;">15 mm</td> <td style="padding: 5px;">1/2 BSPT</td> </tr> <tr> <td style="padding: 5px;">GFF2012</td> <td style="text-align: center; padding: 5px;">10</td> <td style="padding: 5px;">20 mm</td> <td style="padding: 5px;">3/4 BSPT</td> </tr> </tbody> </table>	Part Number	Standard Pack	Tube	Pipe Thread	GFF1508	10	15 mm	1/2 BSPT	GFF2012	10	20 mm	3/4 BSPT								
Part Number	Standard Pack	Tube	Pipe Thread																		
GFF1508	10	15 mm	1/2 BSPT																		
GFF2012	10	20 mm	3/4 BSPT																		
<p style="font-size: 24pt; font-weight: bold; margin-bottom: 10px;">GFN</p>  <p style="margin-top: 10px; font-weight: bold;">Stress Relieved</p>	<p style="text-align: center; font-weight: bold; margin-bottom: 5px;">Gas Flare Nut</p> <table border="1" style="width: 100%; border-collapse: collapse; margin-top: 10px;"> <thead> <tr style="background-color: #ffffcc;"> <th style="text-align: left; padding: 5px;">Part Number</th> <th style="text-align: center; padding: 5px;">Standard Pack</th> <th style="text-align: left; padding: 5px;">Tube</th> <th style="text-align: left; padding: 5px;">Pipe Thread</th> </tr> </thead> <tbody> <tr> <td style="padding: 5px;">GFN10</td> <td style="text-align: center; padding: 5px;">10</td> <td style="padding: 5px;">10 mm</td> <td style="padding: 5px;">-</td> </tr> <tr> <td style="padding: 5px;">GFN15</td> <td style="text-align: center; padding: 5px;">10</td> <td style="padding: 5px;">15 mm</td> <td style="padding: 5px;">-</td> </tr> <tr> <td style="padding: 5px;">GFN20</td> <td style="text-align: center; padding: 5px;">10</td> <td style="padding: 5px;">20 mm</td> <td style="padding: 5px;">-</td> </tr> </tbody> </table>	Part Number	Standard Pack	Tube	Pipe Thread	GFN10	10	10 mm	-	GFN15	10	15 mm	-	GFN20	10	20 mm	-				
Part Number	Standard Pack	Tube	Pipe Thread																		
GFN10	10	10 mm	-																		
GFN15	10	15 mm	-																		
GFN20	10	20 mm	-																		

45° Inverted Flare

**F
L
A
R
E**

Inverted Flare Nut				105
Part Number	Standard Pack	Tube	Pipe Thread	
10502	20	1/8	-	
10503	20	3/16	-	
10504	20	1/4	-	
10505	20	5/16	-	
10506	20	3/8	-	
10508	10	1/2	-	
Inverted Flare Male Connector				200
Part Number	Standard Pack	Tube	Pipe Thread	
2000302	20	3/16	1/8 BSPT	
2000402	20	1/4	1/8 BSPT	
2000404	20	1/4	1/4 BSPT	
2000502	20	5/16	1/8 BSPT	
2000504	20	5/16	1/4 BSPT	
2000604	10	3/8	1/4 BSPT	
2000806	10	1/2	3/8 BSPT	
Inverted Flare Male Elbow				400
Part Number	Standard Pack	Tube	Pipe Thread	
4000202	10	1/8	1/8 BSPT	
4000302	10	3/16	1/8 BSPT	
4000402	20	1/4	1/8 BSPT	
4000404	20	1/4	1/4 BSPT	
4000502	20	5/16	1/8 BSPT	
4000504	20	5/16	1/4 BSPT	
4000604	10	3/8	1/4 BSPT	
4000606	10	3/8	3/8 BSPT	
4000806	10	1/2	3/8 BSPT	