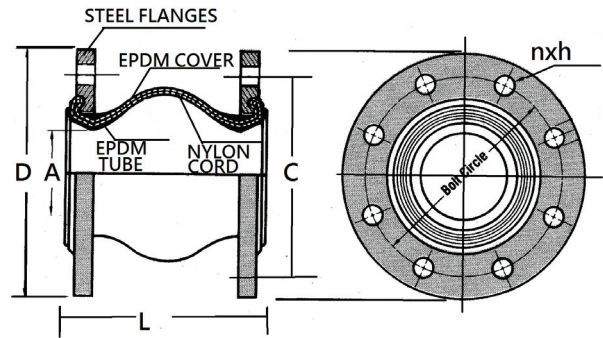


# Hand Built Rubber Joints

## Food Grade Single Sphere Connectors with Floating Flange



- WHITE EPDM RUBBER TUBE CONFORMS TO FDA CFR TITLE 21, PART 177.2600 FOR FOOD CONTACT
- GRADE 304 STAINLESS STEEL FLANGES THAT ARE ANSI 150 LB
- “FSF B” TYPE OF JOINT
- 130MM LONG

### FEATURES

#### May be used both for suction and delivery

Because of the excellent moulding technique combined with tough chemical fibres it may be used at a bursting pressure of over 850 p.s.i. and within a normal internal pressure of 225 p.s.i. In addition, since it can satisfactorily withstand the force for creating a vacuum it may be used on both the delivery and the suction sides. Also, since its carcass is of special spherical type, and it will not come in contact with the connecting bolt head even if it expands, this connector may be used with a sense of security even when subjected to high pressures.

#### Easy installation on piping

Since its carcass is soft and can be readily deformed, pipe connections can be quickly and readily completed despite some misalignment.

#### Excellent ability to isolate sound and vibration

The highly soft carcass isolates vibration and solid sound in all directions and prevents the production of noise.

#### Other advantages and effects

- Need neither gasket nor packing.
- Since the flange is a sort of loose fit type, it can be installed on pipes without difficulty.
- Since it absorbs the elongation and contraction of pipes caused by variations in temperature, it prevents the piping system and equipment from breaking down.
- It absorbs the pulsation of water and prevents water hammering to some extent.
- When pipes made of different engineering materials are connected with this connector, it prevents them from developing electrolytic corrosion.

Nominal Diameter		100 PSI	150 PSI	200 PSI	225 PSI
1 1/4"	32 mm			⊗	⊗
1 1/2"	40 mm			⊗	⊗
2"	50 mm			⊗	⊗
2 1/2"	65 mm			⊗	⊗
3"	80 mm			⊗	⊗
4"	100 mm			⊗	⊗
5"	125 mm			⊗	⊗
6"	150 mm		⊗	⊗	⊗
8"	200 mm	⊗	⊗	⊗	⊗
10"	250 mm	⊗	⊗	⊗	⊗
12"	300 mm	⊗	⊗	⊗	⊗
14"	350 mm	⊗	⊗		
16"	400 mm	⊗			

\* NOTE: ⊗= Use Control Rods

Available Styles/ Materials

Material Code	Cover Elastomer	Tube Elastomer	Maximum Operating Temp.°C
BB	Chloro Butyl	Chloro Butyl	105°
EE	EPDM	EPDM	105°
NH	Neoprene	Hypalon	100°
NN	Neoprene	Neoprene	105°
NP	Neoprene	Nitrile (Buna)	100°

Press/ Temp Correction Factor	Operating Temperatures					
	80°C	85°C	90°C	95°C	100°C	105°C
Maximum Working Pressure (x factor)	x1.0	x.92	x.83	x.75	x.67	0.60

### Single Sphere Connectors FSF-B TYPE

Nominal Diameter		Installed Length (mm)		Travel (mm)	Allowable Movements from Neutral				Working Pressure	
inch	mm	Natural Length	Min-Max Installed	Total Compressed Extended	Axial Compressions	Axial Extension	Lateral Deflection	Angular Degrees	Positive P.S.I.G at 80°C	Vacuum Rating (mm)
3/4"	20	130	116-130	113-165	13	9	13	15°	225	660
1"	25	130	116-130	113-165	13	9	13	15°	225	660
1 1/4"	32	130	116-130	113-165	13	9	13	15°	225	660
1 1/2"	40	130	116-130	113-165	13	9	13	15°	225	660
2"	50	130	116-130	113-165	13	9	13	15°	225	660
2 1/2"	65	130	116-130	113-165	13	9	13	15°	225	660
3"	80	130	116-130	113-165	13	9	13	15°	225	660
4"	100	130	116-130	113-165	13	9	13	15°	225	660
5"	125	130	116-130	113-165	13	9	13	15°	225	660
6"	150	130	116-130	113-165	13	9	13	15°	225	660
8"	200	130	116-130	113-165	13	9	13	15°	225	660
10"	250	130	116-130	113-165	13	9	13	10°	225	660
12"	300	130	116-130	113-165	13	9	13	10°	225	660

Note: Flange is available with DIN Standard, ANSI Standard, JIS Standard and BS Standard