

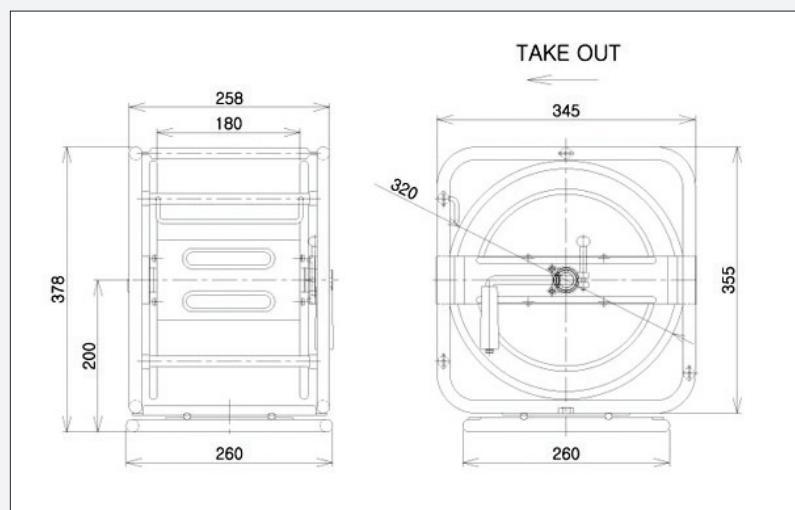
# PM type, Manual Rewind Air Hose Reel



Use: Various workshop,  
interior workplace

Feature: Light weight,  
Manual Rewinding

Installation: Mobile



## PM TYPE

Product No.	Model	Hose			Working Pressure	Weight (kg)
		Material	ID (mm)	Length (mm)	Max (kg/cm <sup>2</sup> )	
1000428	PM-830	pu,pp	8	30	10	7.5

